



Valley Fastener Group, LLC

Fax Quote Form
TO 630-892-4916

ISO 9001: 2000 Certified

Valley Rivet Division

1490 Mitchell Road
 Aurora, IL 60504
 Phone: 630-299-8910

Anvil RFQ Form

Date: _____

Contact: _____

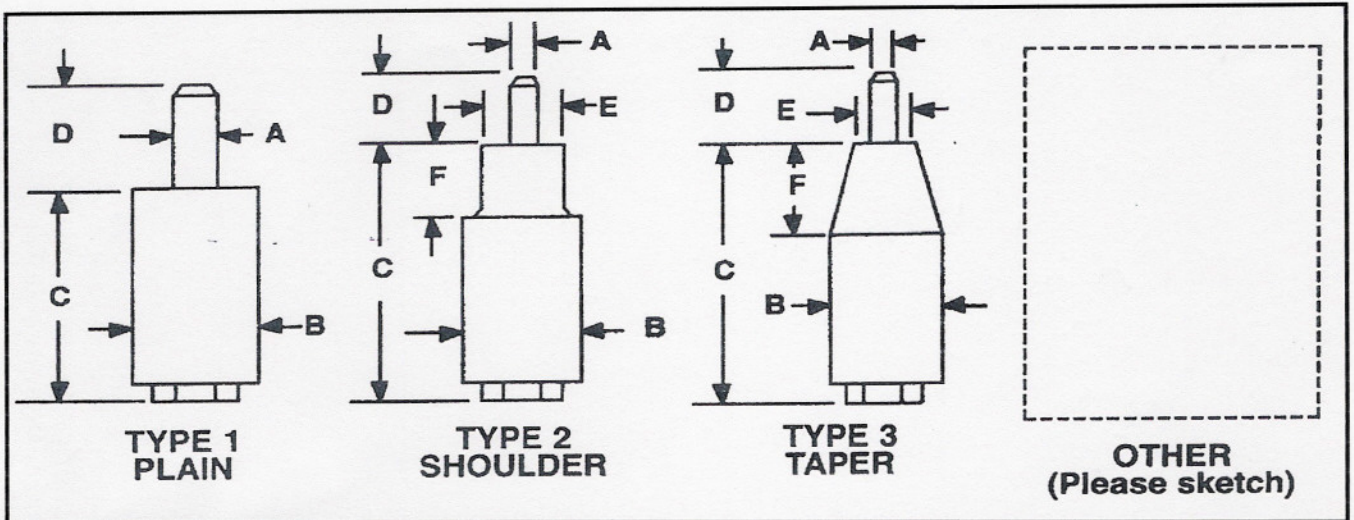
Phone: _____

Company: _____

Fax: _____

Address: _____

email: _____



Present Anvil	Type	A	B	C	D	E	F	Normal Buy Quantity	EAU

Additional Notes: