



Valley Fastener Group, LLC

Fax Quote Form
TO 630-892-4916

ISO 9001: 2000 Certified

Valley Rivet Division

1490 Mitchell Road
 Aurora, IL 60504
 Phone: 630-299-8910

Standard Rivet RFQ Form

Date: _____

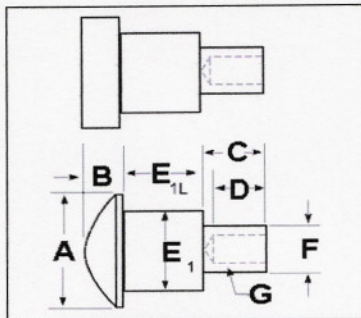
Contact: _____ Phone: _____

Company: _____ Fax: _____

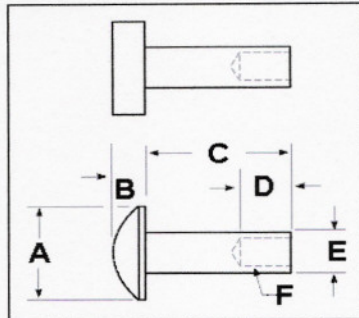
Address: _____ email: _____

Just circle the picture of common rivets you would like us to quote and fill in the dimensions

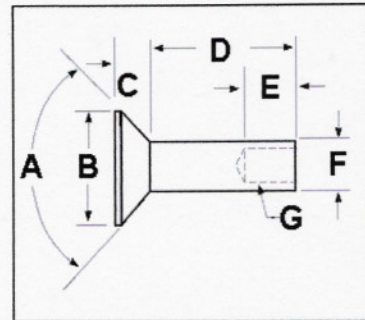
If the part is a solid rivet place an X next to the space designated for hole depth and diameter



Shoulder Rivets



Standard Rivets



Countersunk Head Rivets

Head Diameter A	Head Diameter A	Head Angle A
Head Height B	Head Height B	Head Diameter B
Shank Length C	Shank Length C	Head Height C
Hole Depth to Sidewall D	Hole Depth to Sidewall D	Shank Length D
Shoulder Length E 1L	Shank Diameter E	Hole Depth to Sidewall E
Shoulder Diameter E 1	Tubular Hole Diameter F	Shank Diameter F
Shank Diameter F		Tubular Hole Dia G
Tubular Hole Dia G		

Rivet Material
Type of Finish (Plating or plain)
Heat Treat (if applicable)

EAU	Normal Release QTY
-----	--------------------

We will give you a call if we have any questions! Thank you!